

## 1.559 ÷ 1.616 GHz Bandpass Filter



**IL < 1.2 dB**  
**Rejection > 90 dB at 1.697 GHz**  
**Very Compact (96x41x19 mm)**

### Microwavefilters & TVC srl

Via G. Cavalcanti, 10 - 20063 Cernusco s/N (MI) - ITALY  
Tel. +39-02-92162703 Fax. +39-02-92162705

[info@mw-tvc.com](mailto:info@mw-tvc.com) [www.mw-tvc.com](http://www.mw-tvc.com)

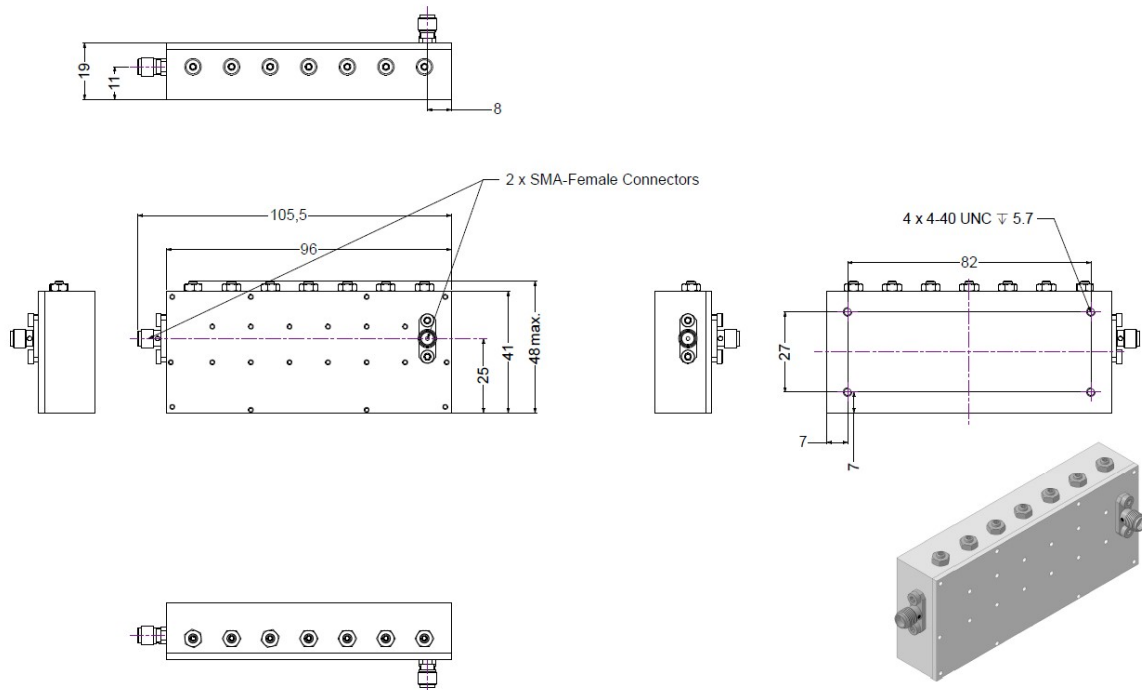
## Microwave components for telecommunication systems

MW&TVC presents a new L-Band filter (BW=1.559÷1.616 GHz) with insertion loss  $IL \leq 1.2$  dB in the whole passband, rejection  $> 75$  dB at 1.481 GHz and  $> 90$  dB at 1.697 GHz. Dimensions are very compact.

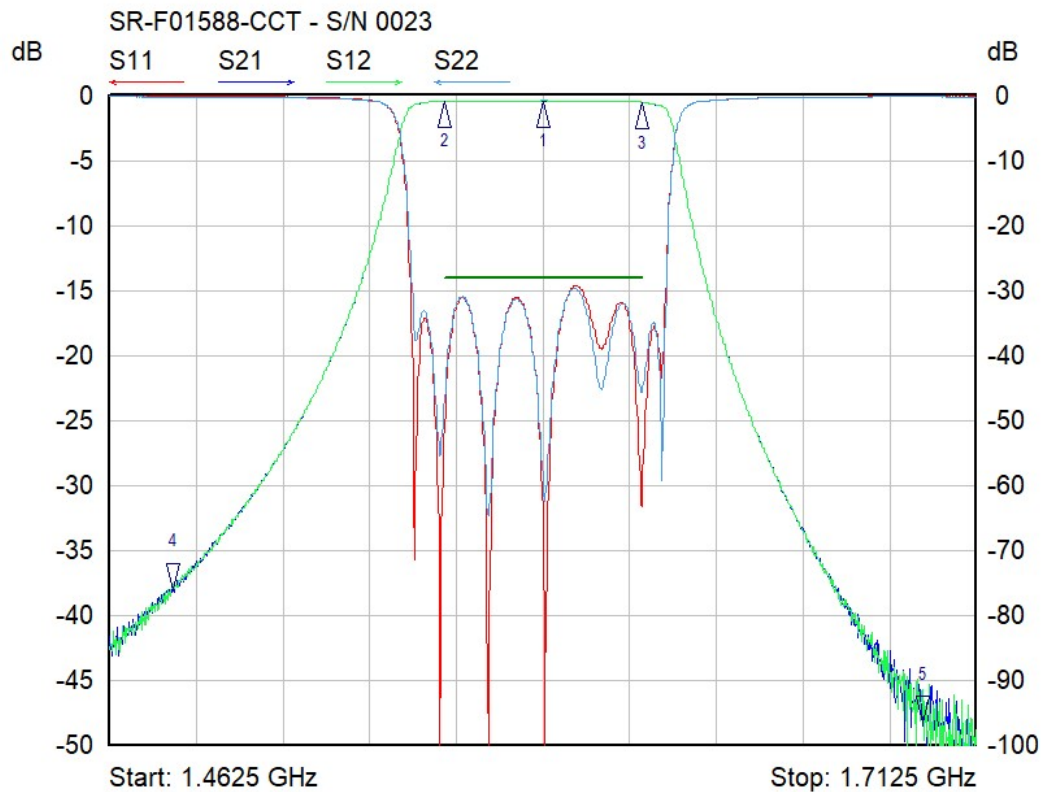
### Main Characteristics

Part Number	<b>MW-F01588-CCT</b>
Passband	<b>1.559 ÷ 1.616 GHz</b>
Return Loss	<b><math>&gt; 14</math> dB (VSWR 1.5:1 max.)</b>
Insertion Loss	<b><math>\leq 1.2</math> dB</b>
Rejection btw DC ÷ 1.481 GHz	<b><math>\geq 75</math> dB</b>
Rejection at 1.697 GHz	<b><math>\geq 90</math> dB</b>
Input/output Connectors	<b>2 x SMA Female</b>
Power Handling	<b>25 W CW</b>
Dimensions	<b>96 x 41 x 19 mm, excluding connectors and tuning screws</b>

### Mechanical Outline



### Typical Frequency Response



Mkr	Trace	X-Axis	Value	Notes
1 ▽	S21	1.5875 GHz	-0.75 dB	
2 ▽	S21	1.5590 GHz	-0.91 dB	
3 ▽	S21	1.6160 GHz	-1.11 dB	
4 ▽	S21	1.4810 GHz	-75.97 dB	
5 ▽	S21	1.6970 GHz	-96.57 dB	